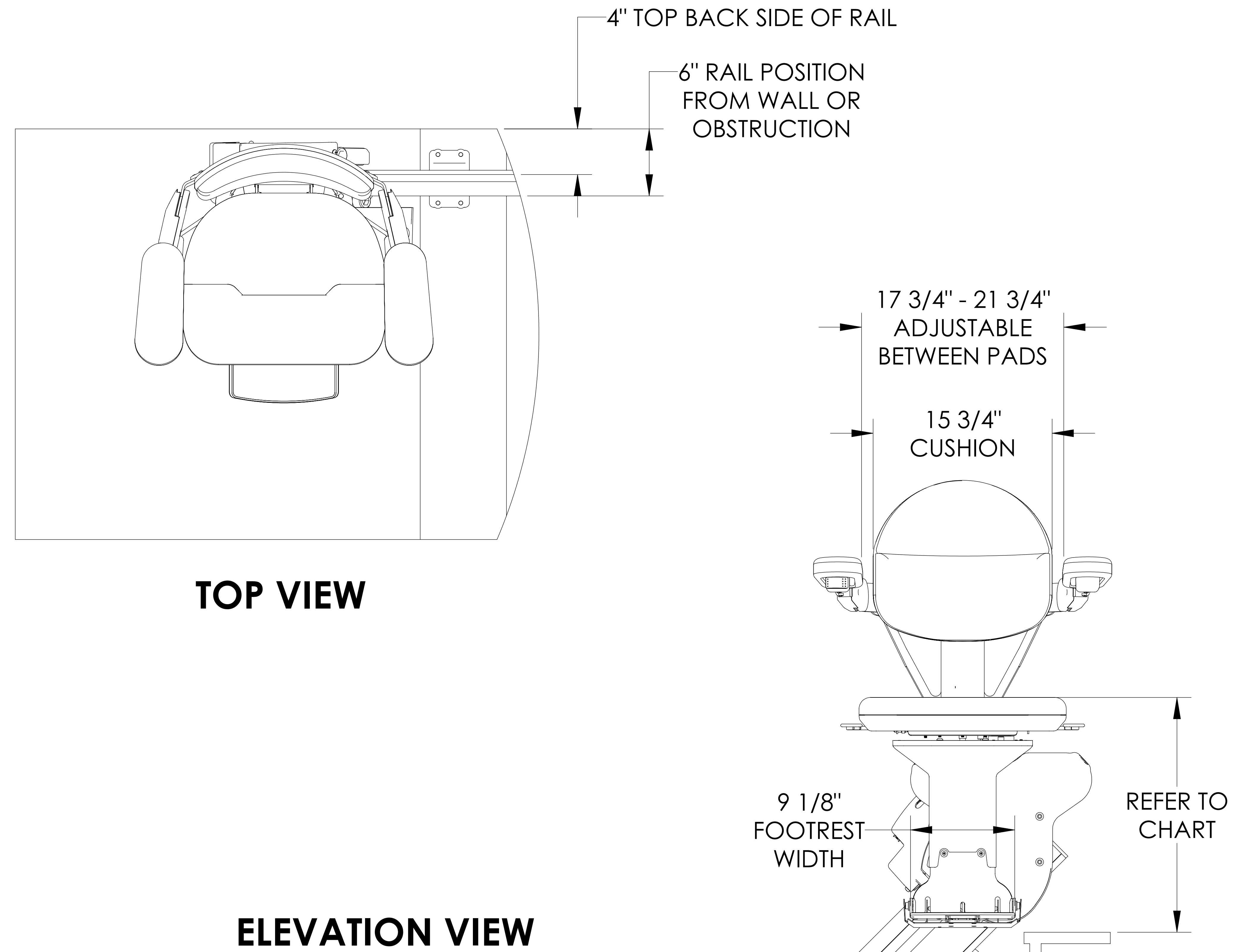
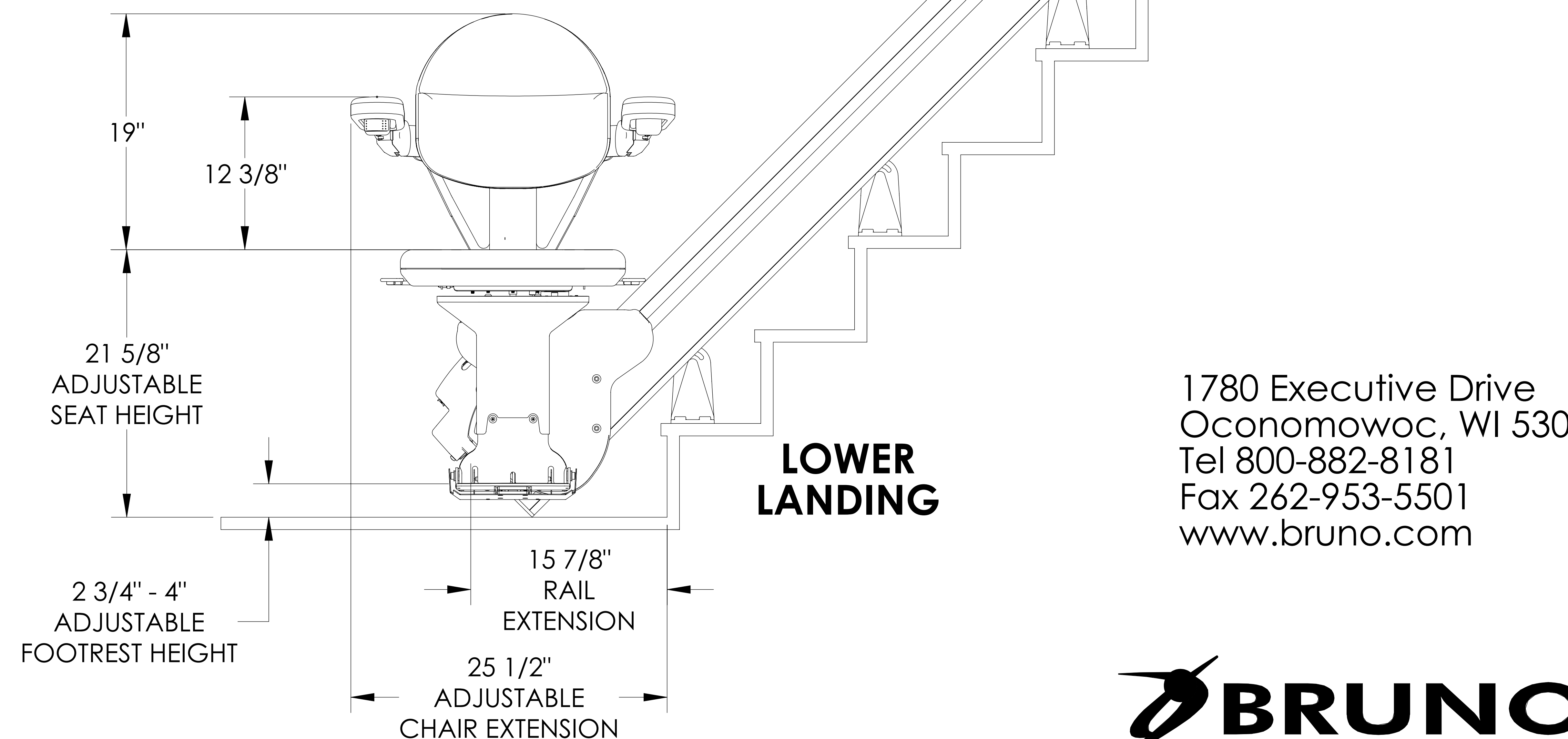
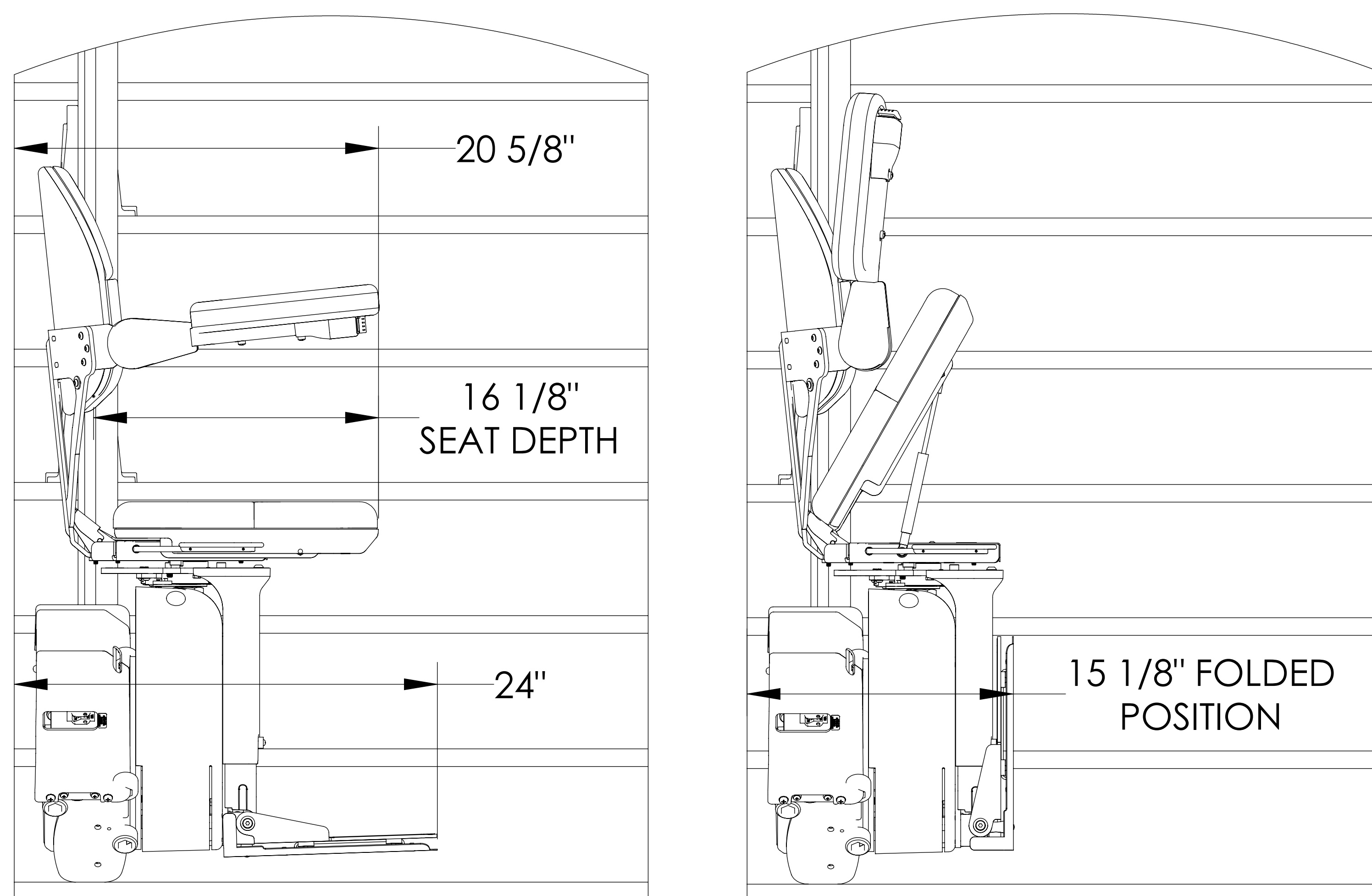


## TECHNICAL DATA/SPECIFICATION


**MODEL:** SRE-2010 ELITE  
**RATED LOAD:** 400 LBS, ONE PASSENGER  
**POWER SOURCE:** 24 VOLT DC COMPRISED OF (2) 7 AMP/HR 12 VOLT SEALED BATTERIES  
 100-240 VOLT AC 1.5 AMP, 24 VOLT DC 2 AMP CONTINUOUS MONITORING CHARGER.  
**DRIVE:** 24 VOLT DC DIRECT DRIVE GEAR-MOTOR, 2 POLE RATED .68 HP, 58:1 RIGHT ANGLE SELF LOCKING GEARBOX, 41.5 RPM NO LOAD RPM OUTPUT SPEED.  
**SUSPENSION:** RACK & PINION - INTEGRATED 8DP GEAR RACK ON RAIL WITH A SPUR GEAR ON THE OUTPUT SHAFT OF THE GEAR BOX.  
**BRAKING:** DYNAMIC MOTOR BRAKING THROUGH THE MOTOR CONTROLLER, SELF LOCKING WORM GEAR, AND ELECTRO-MECHANICAL MOTOR BRAKE.  
**CONTROLS:** CONTINUOUS PRESSURE ROCKER SWITCH LOCATED ON THE ARM REST AND WALL MOUNTED CALL/SEND CONTROLS LOCATED AT BOTH THE TOP AND BOTTOM LANDINGS.  
**ANGLES:** 0 TO 45 DEGREES (SPECIALS UP TO 50 DEGREES) RIGHT OR LEFT HAND ORIENTATIONS.  
**KEYED CONTROL ON CARRIAGE**  
**FINAL LIMIT SWITCH STANDARD**  
**OPTIONS:**  
 1) KEYED CALL/SEND CONTROLS,  
 2) COMMERCIAL PACKAGE W/OVERSPEED SAFETY BRAKE.



LOWER LANDING EXTENSION DIMENSIONS ARE BASED ON 45 DEGREE RAIL SLOPE ON AN 8" 1ST RISER HEIGHT, DIMENSIONS WILL VARY BASED ON SLOPE AND RISER HEIGHT.



1780 Executive Drive  
 Oconomowoc, WI 53066  
 Tel 800-882-8181  
 Fax 262-953-5501  
[www.bruno.com](http://www.bruno.com)


**BRUNO**  
 for your independence

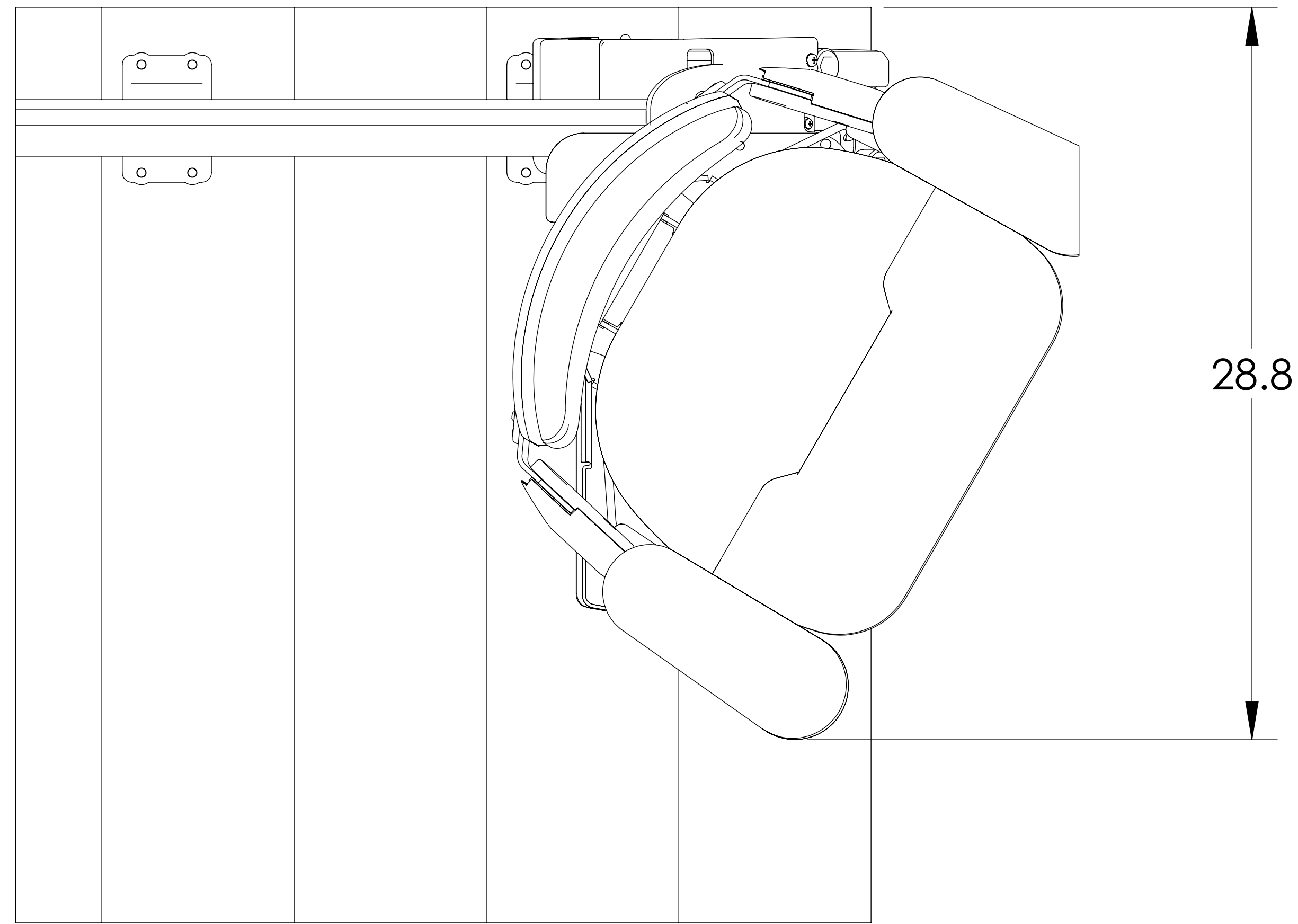
©Bruno Independent Living Aids, Inc.

REMOVE 'P.O. BOX 84' FROM ADDRESS.

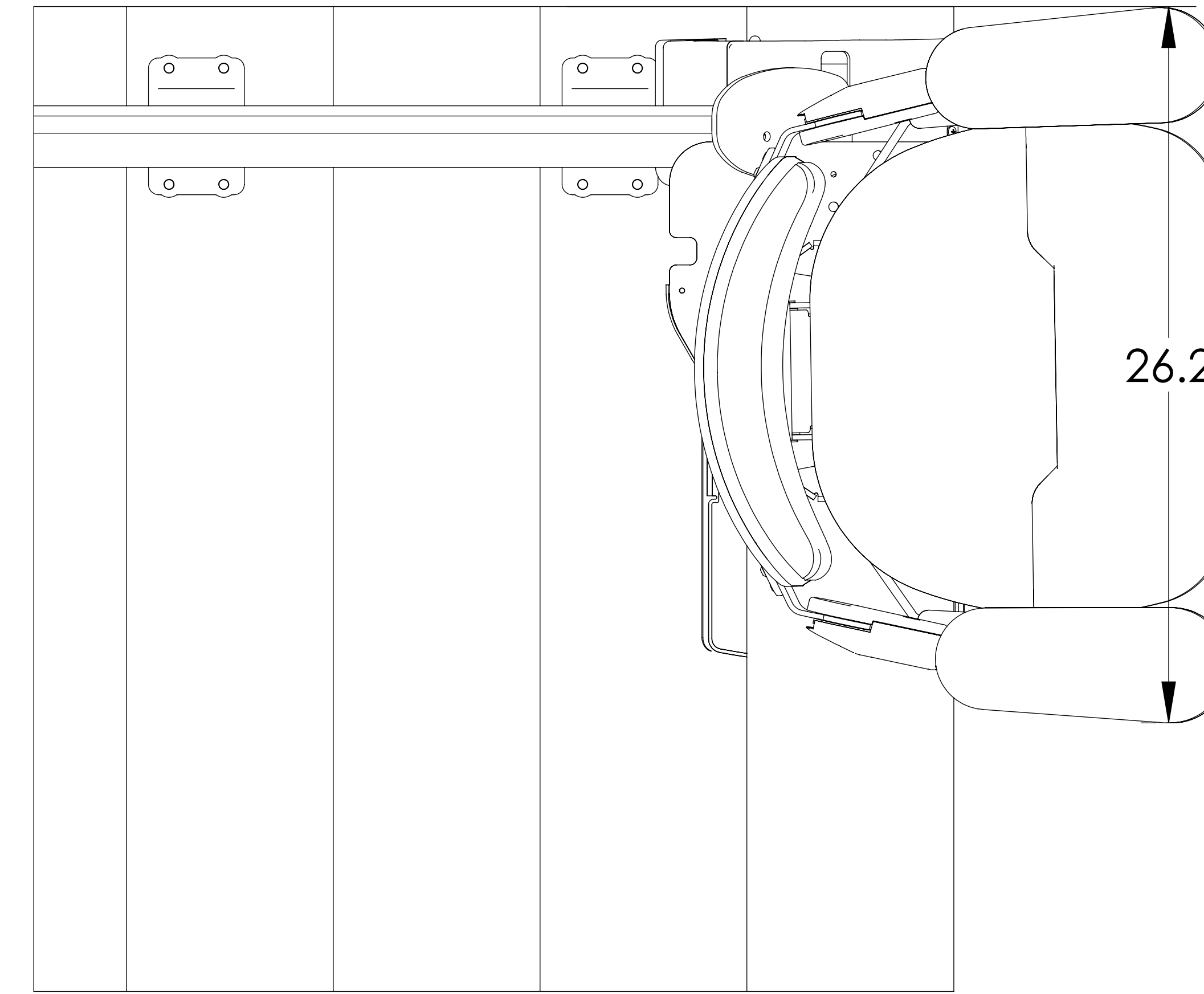
**ILS-00827**  
**SHEET 1 OF 3**  
**REV. 2 (5901)(5-28-15)(KAS)**

# SRE-2010

## DISTANCE FROM WALL - SEAT SWIVELED



SEAT SWIVELED 60°

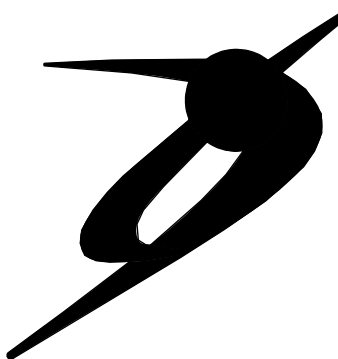


SEAT SWIVELED 90°

△ REMOVE 'P.O. BOX 84' FROM ADDRESS.

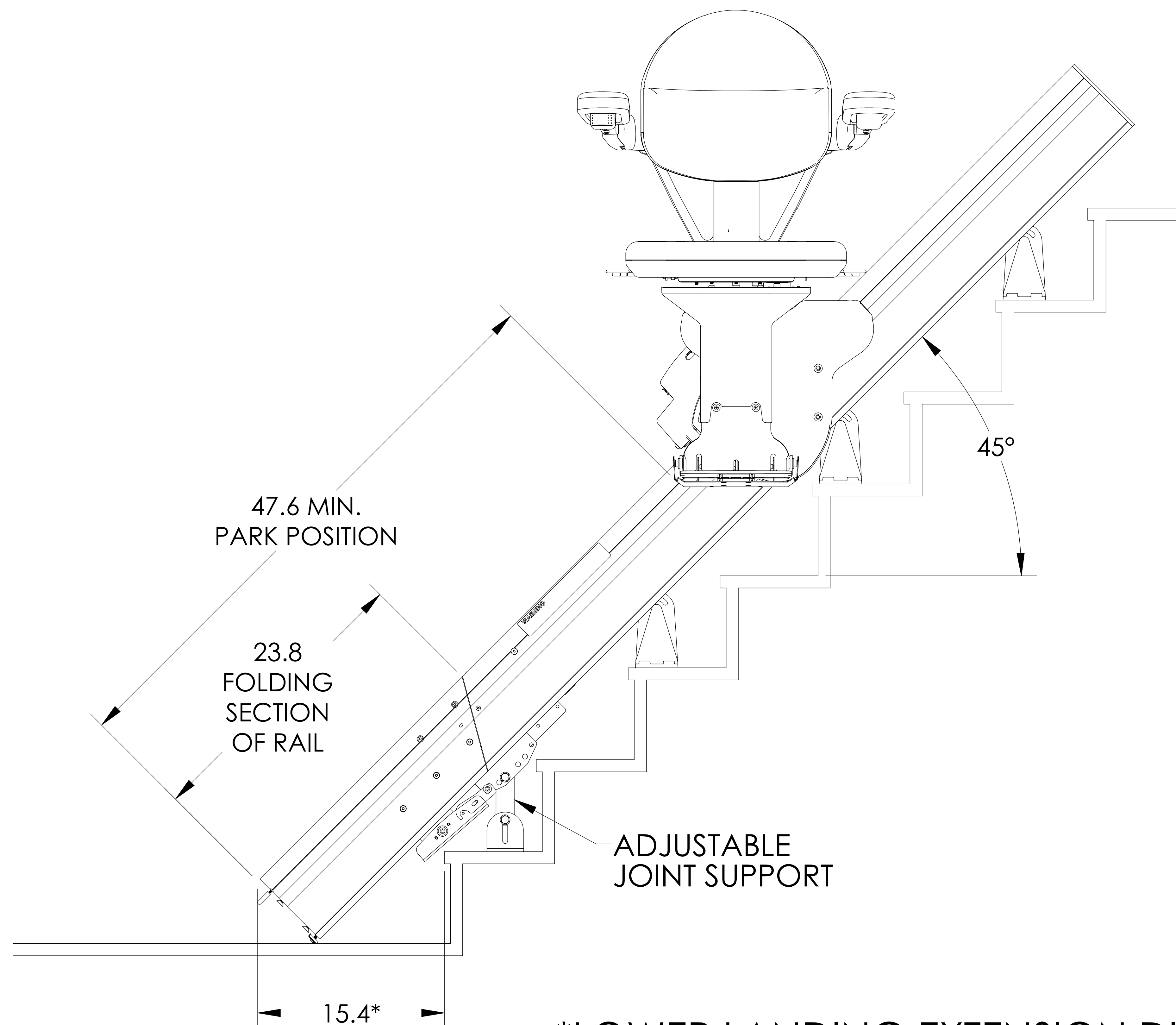
1780 Executive Drive  
Oconomowoc, WI 53066  
Tel 800-882-8181  
Fax 262-953-5501  
[www.bruno.com](http://www.bruno.com)

**ILS-00827**  
**SHEET 2 OF 3**  
**REV. 2 (5901)(5-28-15)(KAS)**

 **BRUNO**<sup>®</sup>  
for your independence  
©Bruno Independent Living Aids, Inc.

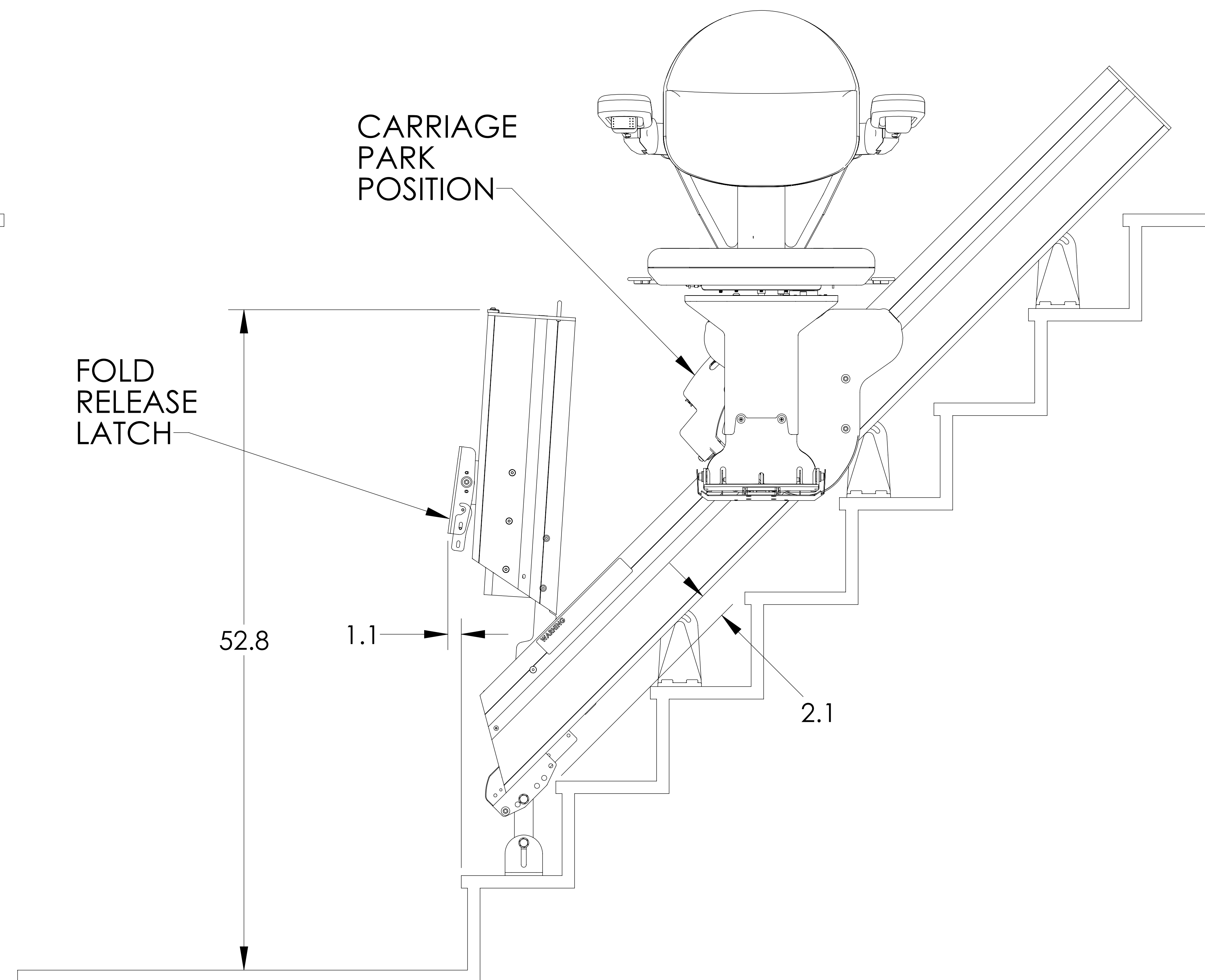
# SRE-2010 FOLDING RAIL

## AUXILIARY ELEVATION VIEW RAIL FOLDED DOWN POSITION



\*LOWER LANDING EXTENSION DIMENSIONS  
ARE BASED ON 45° RAIL SLOPE AND 8" RISER  
HEIGHT. DIMENSIONS WILL VARY BASED ON  
SLOPE AND RISER HEIGHT.

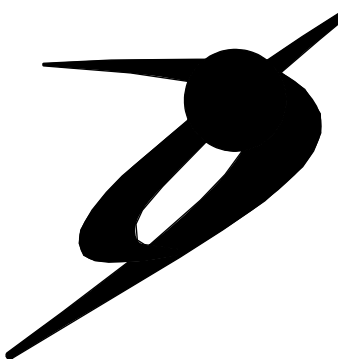
## AUXILIARY ELEVATION VIEW RAIL FOLDED UP POSITION



△ REMOVE 'P.O. BOX 84' FROM ADDRESS.

**ILS-00827**  
**SHEET 3 OF 3**  
**REV. 2 (5901)(5-28-15)(KAS)**

1780 Executive Drive  
Oconomowoc, WI 53066  
Tel 800-882-8181  
Fax 262-953-5501  
www.bruno.com

 **BRUNO**<sup>®</sup>  
for your independence  
©Bruno Independent Living Aids, Inc.